

HEAD[®]

**3 in 1
SWING WEIGHT MACHINE
USER'S MANUAL**

三合一
球拍測試機
說明書





Content	目錄	1
Attention	注意事項	2
Machine dimension	機器尺寸圖	3
Accessories	配件	4
Assembly instruction	組裝圖	5
Display screen	顯示螢幕	6
Assembly instruction	組裝步驟	8
Swing weight	揮拍重量	11
Balance point	平衡點	12
Racquet weight	球拍重量	13
Calibration	校正	14
Replace the racquet holder	更換夾具	16

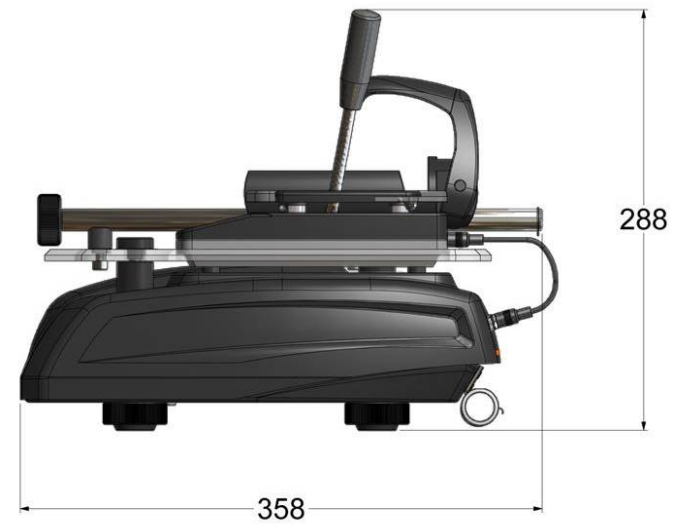
Attention 注意事項



1. Please put the machine on a flat and stable place.
2. **DO NOT** put the machine in front of any vent of fans or air conditioner.
3. **DO NOT** put the machine outdoor.
4. To avoid the dust, we recommend using the dust cover to cover the machine when it is not used.
5. **DO NOT** press the weight scale hardly or load over weight.
6. **DO NOT** load anything before the weighing scale is turned on.

1. 請將機器放置於平坦且穩固的平台上。
2. 機器放置的位置請避開風扇或冷氣機之出風口。
3. 請勿將機器放置於室外。
4. 平時未使用時，建議可使用防塵罩，減少灰塵的覆蓋。
5. 請勿重壓磅秤或承載過重。
6. 磅秤開機前，請勿放置任何物品於磅秤上。

Machine dimension 機器尺寸圖



Accessories 配件



一字調整棒
Adjusting driver



磅秤用電源線
Power cord for weighing scale



3 mm L 型六角扳手
3 mm L-shaped Allen wrench



2.5 mm L 型六角扳手
2.5 mm L-shaped Allen wrench



防塵罩
Dust cover



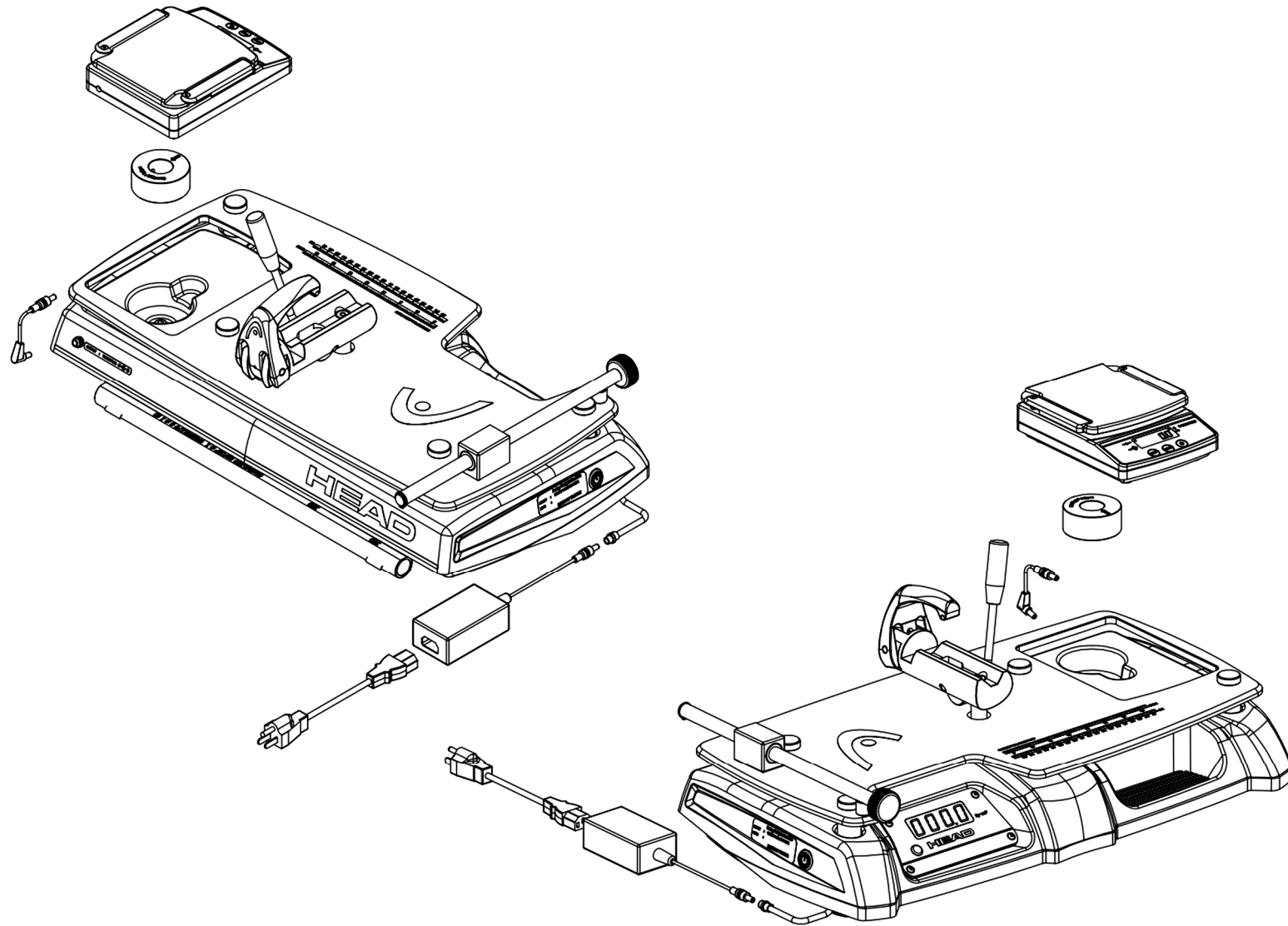
電源供應器
Power supply



校正棒
Standard bar

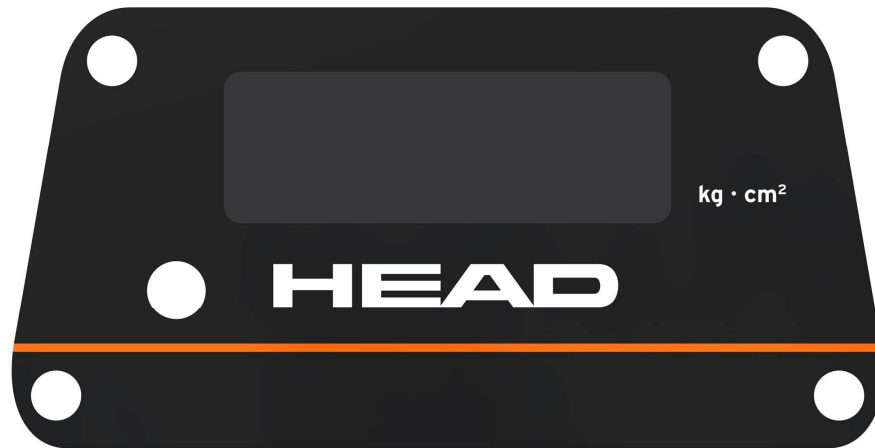


校正砝碼
Standard weight





Swing weight 揮拍重量

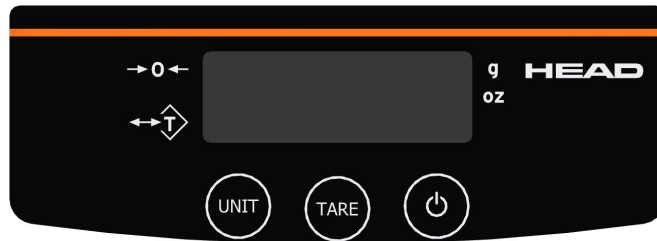


The display screen is 4 digits LED display and the reading of swing weight test result will be displayed on the screen.

顯示螢幕為 四位數的 LED 顯示器，揮拍重量的測試結果數據會直接顯示於顯示螢幕上。



Display screen of weighing scale 磅秤顯示螢幕



- » Press the power button to turn on the machine.
- » Press the power button to reset to zero while it is on.
- » When the scale is turn on, long press for 4 seconds then release to turn off the scale.
- » 關機狀態下按一下電源鍵可開機。
- » 開機狀態下按一下電源鍵可以歸零磅秤。
- » 開機狀態下長按電源鍵 4 秒後再放開可關機。



- » An empty container is placed on the weighing pan while the scale is activated, press **"TARE"** to reset to zero.
- » Press **"TARE"** over 4 seconds to enter the background light option menu while the scale is activated. Screen will display **"BL on"** then press **"TARE"** to select on/off and press **"UNIT"** to set and return to the normal weight status. In "auto", the background light will turn on when weight over 1g is loaded and turn off when not using for a few seconds.
- » 開機狀態下且秤盤上有容器重量，按一次可扣重。
- » 在開機的狀態下長按超過 4 秒可進入背光選項，畫面顯示「BL on」後再按「TARE」鍵選擇 on/off，按「UNIT」鍵確認後回到一般秤重狀態。選擇「auto」時，當承載超過一克的重量時，背光則會自動亮起，並且在無承載重量後數秒自動熄滅。



- » Switch the weight unit.
- » 秤重單位切換。



Take the machine out of the box carefully.

小心地將機器從箱子中取出。



Put the standard weight in the space under the weight scale.

將揮重校正砝碼收納於磅秤下方的空間。



Put the weight scale in the cavity.

將磅秤放置於凹槽裡。



Plug the power connector into the weight scale.

為磅秤接上電源線。



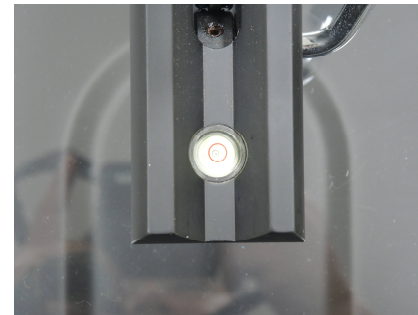
Hang the standard bar on the hooks behind the machine.

將揮重校正棒放置放機器後方的掛勾上。



Adjust the height of the leveling pads.

調整腳墊高度。



Check the bubble level to see if the machine is in horizontal.

確認機器是否已呈水平。



Plug the power cord .

為機器接上電源線。



The power button won't light up when the machine doesn't turn on.

機器未開啟時，電源開關的燈不會亮起。



Push the power button to turn on the machine. The power button light will stay on when the machine turns on.

按壓電源開關將機器開啟。機器開啟時，電源開關的燈為恆亮。



After the machine turns on, please turn on the weighing scale to make sure it operates well.

※ The weighing scale can't be turned on individually when the machine doesn't activate. Please turn on the machine before using the weighing scale.

機器開啟後，請開啟磅秤以確認磅秤能正常運作。

※當機器未開啟時，磅秤無法單獨開啟，請於使用磅秤前將機器開啟。



The machine assembly is finished and ready to test racquets.

機器組裝完成準備測試球拍。

Swing weight 揮拍重量



Insert the racquet grip to the end of the racquet holder and pull down the handle of racquet holder to fix the racquet.

將球拍握把推至夾具的最底端，並將夾具的把手向下壓以固定球拍。



Move the racquet to the end of left and wait for few seconds. Then release the racquet and leave it to swing after hear a "beep".

將球拍擺向最左側並等待數秒，於「嗶」聲後放開球拍，使其自然擺動。



After another "beep", the swing weight reading will be displayed in the LED screen.

待另一「嗶」聲後，球拍的揮拍重量數值將會顯示於LED顯示螢幕上。



Move the racquet to the end of right and wait for 3 seconds. Then release the racquet after the "beep". The machine using data will be display in the screen.

將球拍擺向最右側並等待3秒，聽到「嗶」後放開球拍，螢幕將會顯示機器使用資訊。

Balance point 平衡點



Pull out the balance beam.

將平衡桿拉出。



Lay the racquet on the beam.

將球拍放置於平衡桿上。



Rotate the beam to get the balance point from the scale.

轉動平衡桿以便從尺規判讀球拍的平衡點。

Racquet weight 球拍重量



Open the racquet support arms. Lay the racquet on the weight scale and check the reading on the screen.

When testing the badminton racquet, please open the support arms as the position of the above photo.

1. Do not press the weight scale hardly or load over weight.
2. Do not load anything before turn on the scale.

張開磅秤的支臂。

將球拍放置磅秤上並從螢幕確認重量數值。

當測試羽球拍時，可將支臂張開至如上圖的位置。

1. 請勿重壓或承載過重。
2. 開機前請勿放置任何物品。



Before calibration, check the bubble level to see if the machine is in horizontal. The reading will not correct if the machine is not in horizontal.

在校正揮拍重量前，請確認機器是否已呈水平。如未呈水平將會影響數據的準確度。



Using the standard bar to calibrate the swing weight.
Standard bar: $100\text{kg}\cdot\text{cm}^2$

使用校正棒來校正揮拍重量。
校正棒： $100\text{kg}\cdot\text{cm}^2 \pm 1$



Using the standard bar + standard weight to calibrate the swing weight.
Standard bar: $200\text{kg}\cdot\text{cm}^2$

使用校正棒+校正砝碼來校正揮拍重量。
校正棒： $200\text{kg}\cdot\text{cm}^2 \pm 1$



Using the standard bar + standard weight to calibrate the swing weight.
Standard bar: $300\text{kg}\cdot\text{cm}^2$

使用校正棒+校正砝碼來校正揮拍重量。
校正棒： $300\text{kg}\cdot\text{cm}^2 \pm 1$



The swing weight adjusting can be adjusted through the adjusting knob.

Firstly, please take off the cap of the adjusting hole in the display screen.

可透過揮拍重量調整鈕來調整揮拍重量。

首先，請將顯示螢幕上的調整孔蓋子取下。



Use the adjusting driver to adjust the swing weight knob and use the standard bar to test again until get the correct reading.

使用一字調整棒來調整揮拍重量調整鈕，並於調整後再次用校正棒測試，直到數值正確為止。

Replace the racquet holder 更換夾具



Use 3 mm L-shaped Allen wrench to loose the fixed screw to replace the racquet.

使用 3mm L 型六角扳手將夾具側邊的固定螺絲卸下以更換球拍夾具。

HEAD[®]

